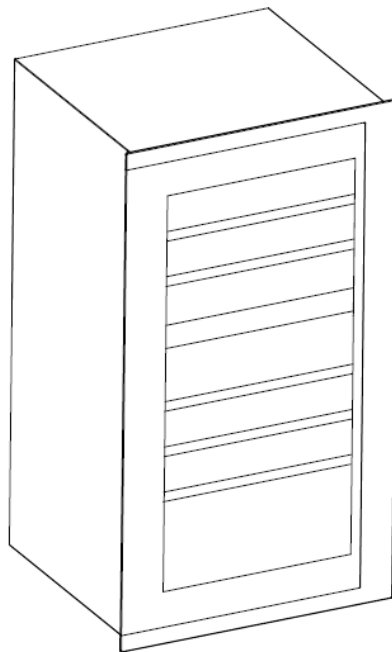
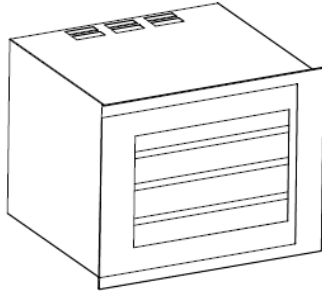


WINE COOLER USER GUIDE



PeVino - PI24S-BP

PeVino - PI24S-WP

PeVino - PI48D-BP

PeVino - PI48D-WP

(Dansk version: side 19)

These wine coolers are integrable and for built-in only!

WWW.PEVINO.COM



THANK YOU FOR PURCHASING A PEVINO WINE COOLER.

BEFORE USE, PLEASE READ AND FOLLOW ALL SAFETY RULES AND OPERATING INSTRUCTIONS.

WARNING

The information in this document is subject to modification without any prior notice.

IMPORTANT SAFETY INSTRUCTIONS

To reduce the risk of fire, electrical shock, or injury when using your appliance, follow these basic precautions.

To prevent damaging the door gasket, make sure to have the door all the way opened when pulling shelves out of the rail compartment.

The appliance must be positioned so that the plug is accessible. Release the electric cord. Move your cabinet to its final location. Do not move your cabinet while loaded with wine.

If the power cord is damaged, it must be replaced by the manufacturer's service agent or a similarly qualified person in order to avoid a hazard.

This wine cooler is only for storage of wine.

DANGER / WARNING

Discarded or abandoned appliances are dangerous. Even if they will "just sit in the garage a few days".

Before discarding your old wine cooler: remove the door completely. Never allow children to operate, play with, or crawl inside the appliance.

Never clean appliance with flammable fluids. The fumes can create a fire hazard or explosion. Do not store or use any other flammable liquids in the vicinity of this or any other appliance. The fumes can create a fire hazard or explosion.

KEEP THESE INSTRUCTIONS FOR ANY FUTURE USE

BEFORE LOADING AND PLUGGING IN THE WINE COOLER

Before using your wine cooler

- Remove the exterior and interior packaging.
- Before connecting the wine cooler to power source, let it stand upright for approximately 6 hours. This will reduce risk of a malfunction in the cooling system from handling during transportation.
- Clean interior surface with lukewarm water by using a soft cloth.
- When replacing the illuminating lamp, please select a lamp similar to the original. Shut off the power supply before replacing the lamp.

Installation of your wine cooler

- Place your wine cooler on a surface strong enough to support it when fully loaded. Level your wine cooler by adjusting the levelling legs at the bottom front of the wine cooler.
- Place the wine cooler away from direct sunlight and sources of heat (stove, heater, radiator, etc.). Direct sunlight may affect the acrylic coating and heat sources may increase energy consumption.
- Extreme cold ambient temperatures may also cause the unit not to perform properly.
- Avoid locating the unit in moist areas.
- Plug the wine cooler into a properly installed wall outlet with an earth/ground connection plug. Any questions concerning power should be directed toward a certified electrician or an authorized products service center.

Pay attention to this

- Store wine in sealed bottles.
- Do not overload the wine cooler.
- Do not open door unless needed.
- Do not cover shelves with aluminium foil or any other material that may prevent air circulation.
- Should the wine cooler be stored unused for a longer period of time, it is advised, after a good cleaning, to leave the door ajar to allow air to circulate inside the cabinet in order to avoid possible formation of condensation, mold or odours.
- The carbon filter should be cleaned and dried at least once a year.

LEVELLING THE WINE COOLER

ALL wine coolers must be levelled before loading with wine.

**INSTALLATION INSTRUCTIONS FOR INTEGRABLE WINE COOLER:
*FRONT VENTING WINE COOLER ONLY.***



1. Integrable wine coolers are front venting and NOT designed to be fully integrated behind a joinery door.
2. Please follow the installation diagram when installing the wine cooler. No less than the minimum installation dimension.
3. The wine cooler draws air from the right side of the ventilation frame and expel through the left side of the ventilation frame under the front door.
4. The wine cooler has a power switch located on the control panel.
5. The wine cooler requires a standard 240 volt/10 A. power supply. (Or accordingly to different countries specifications).
6. The power cord is 200 cm. in length and fixed on the right side at the back.
7. As with most appliances of today, the wine cooler has sensitive electronic components which are susceptible to damage through lightning and electricity supply faults. It is therefore advised to use a power surge protector to avoid problems of this nature.

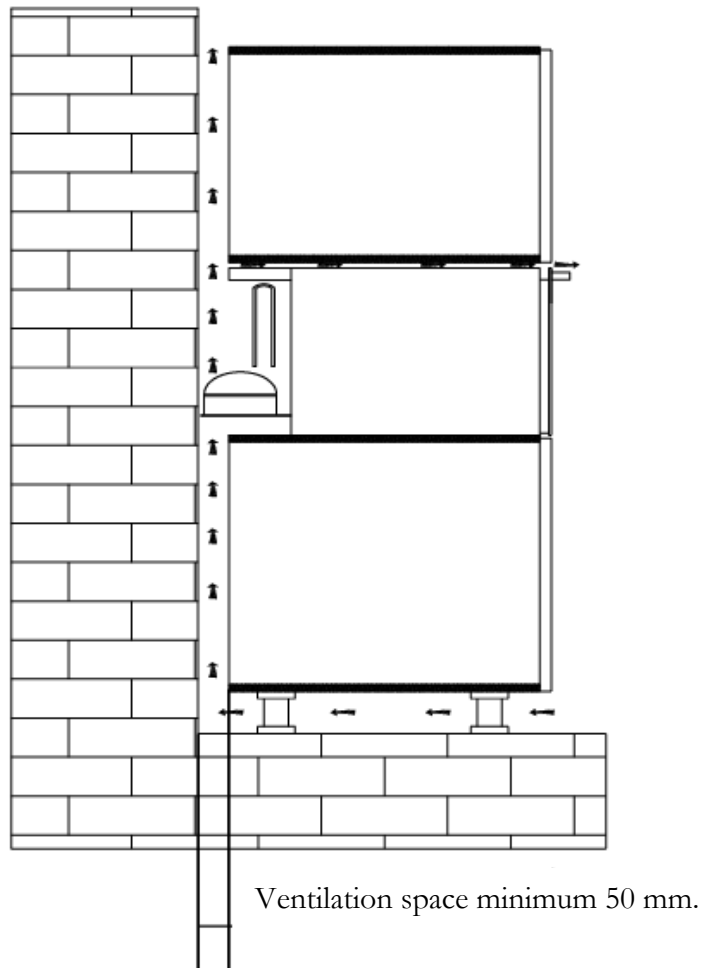
In warm climate zones, an air vent or grid, with a minimum ventilation size of 200mm x 50mm MUST be cut out at the rear top of the back cabinet or at the top of either side of the cabinet, allowing cool fresh air full access to flow into the 30mm gap located at the rear of the cabinet.

This air vent or grid must not be open towards the same side as other appliances such as ovens. Nor can an opening be towards an area that is sealed and without access to fresh cool air. Failing to comply with the above specifications will result in WARRANTY void.

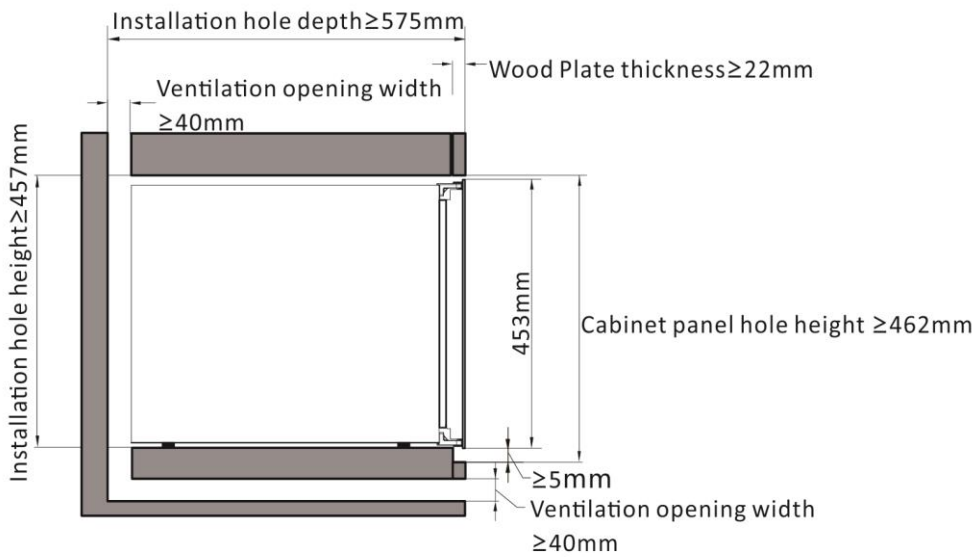
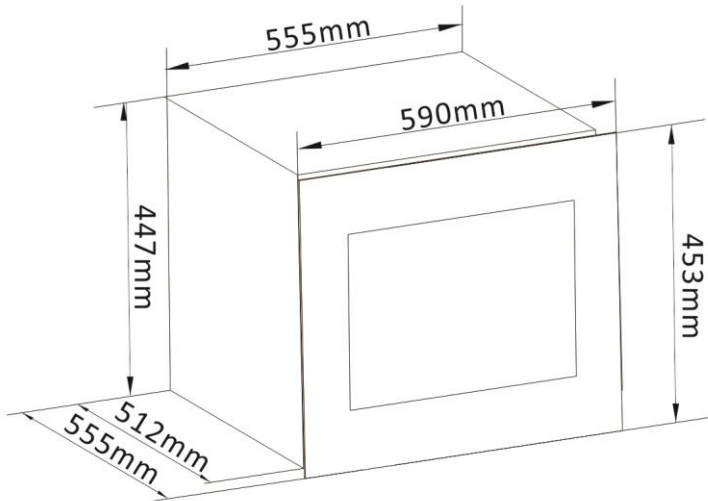
NOTE: The appliance must be positioned so that the outlet and plug is accessible after installation.

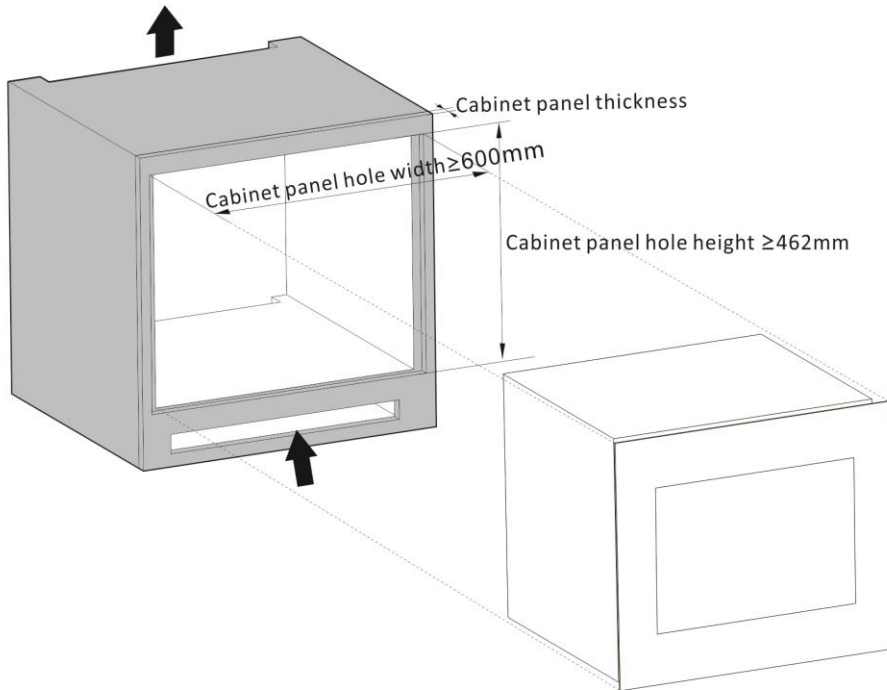
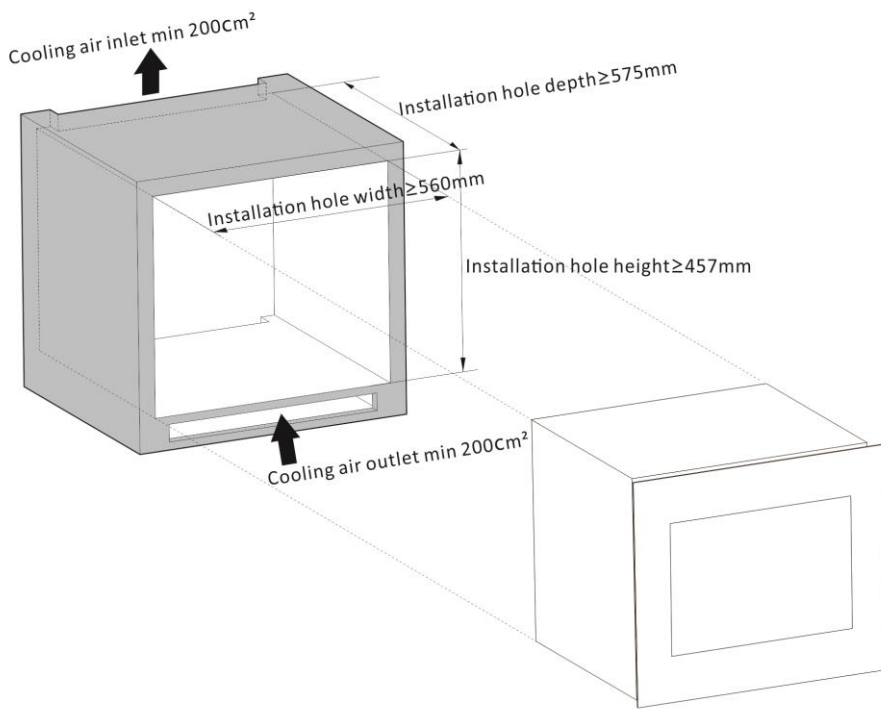
INSTALLATION DIAGRAM

This is an integrable wine cooler to be installed inside a cabinet. The cabinet must be with good ventilation space and no back panel, otherwise it will affect the wine cooler's ability to function normally. Please follow the installation diagram.

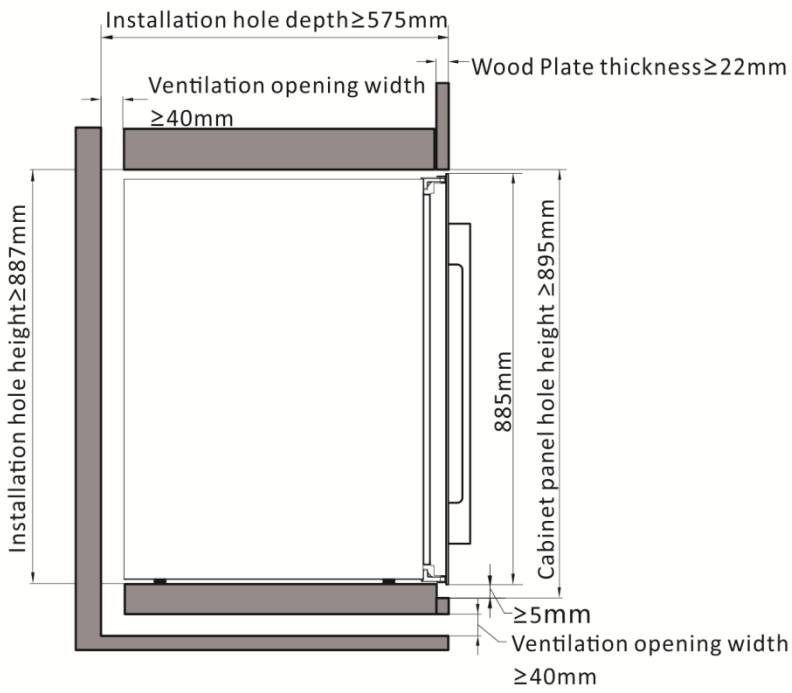
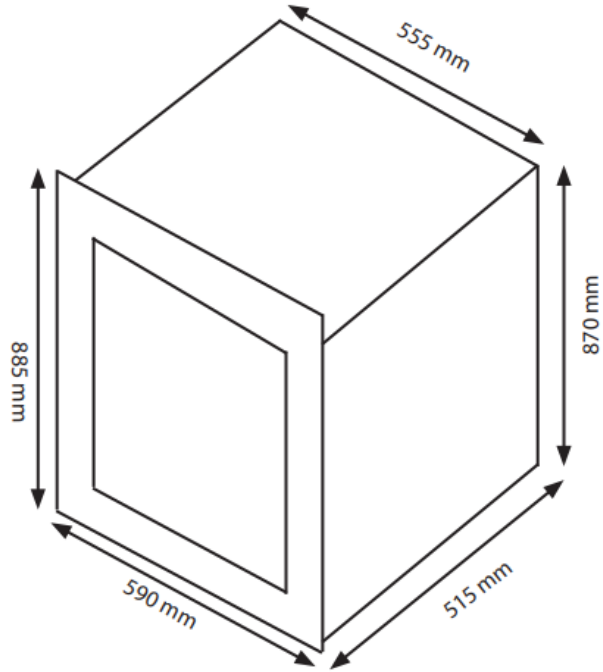


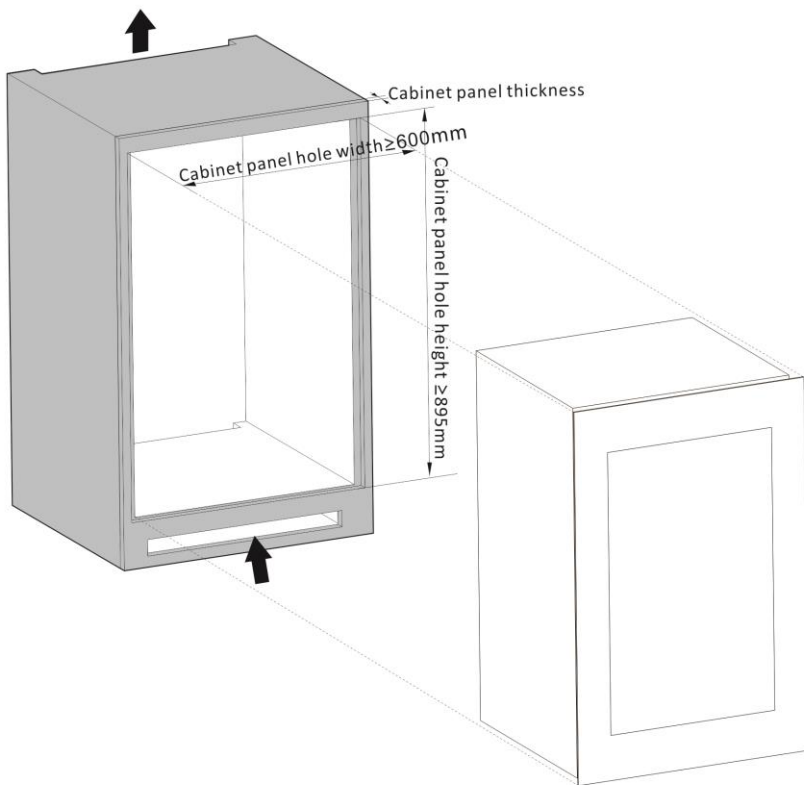
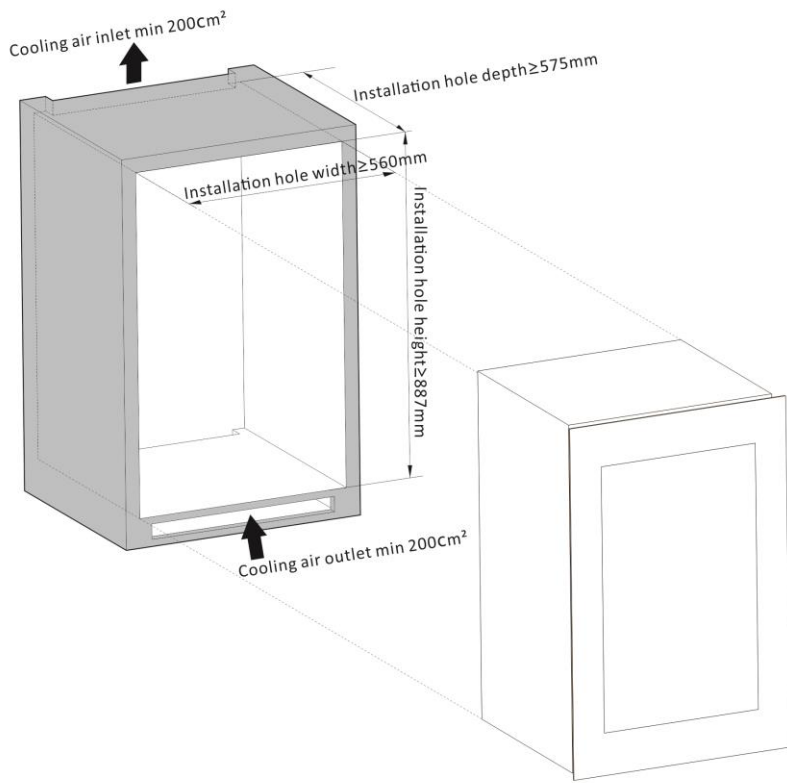
PeVino PI24S-BP and PI24S-WP





PeVino PI48D-BP and PI48D-WP

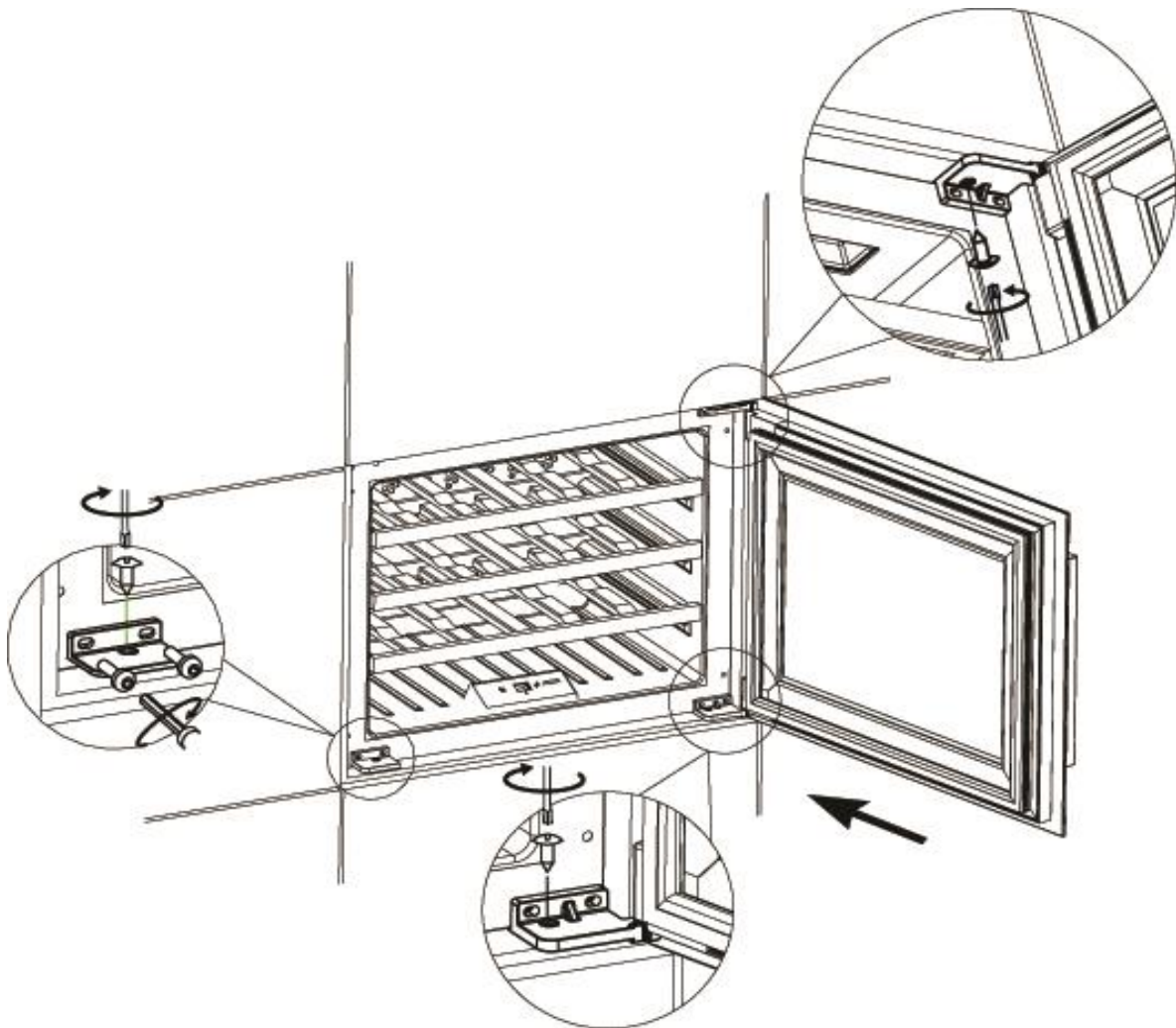




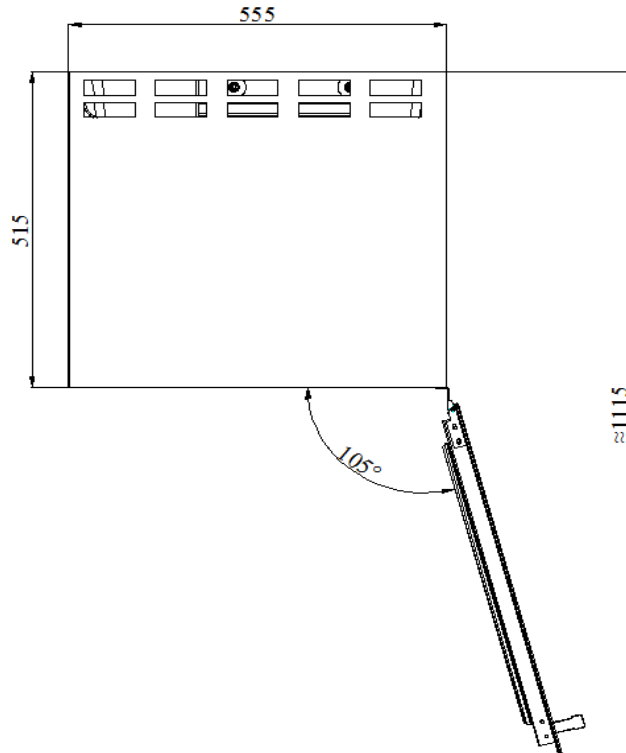
INSTALLING IN CABINET

1. Place the wine cooler in the cabinet and adjust it to place it in perfect level.
2. Open the door, take out the accessory bag with the fixing plate, 2 inner hex screws and hex key. Now use the hex key to tighten the fixing plate onto the lower left side of wine cooler.
3. Take 3 Phillips screws from the accessory bag. Use a Phillips screwdriver (not included) to screw the fixing plate onto the cabinet at the lower left side of the wine cooler using one Phillips screw. Then tighten the other 2 Phillips screws onto the cabinet at the upper door hinge and lower door hinge.

(Notice: If the door has been reversed, the above instructions are to be followed mirrored/inverted. See how to reverse the door in this manual.)



DOOR OPENING ANGLE AND DIMENSIONS



TURNING ON YOUR WINE COOLER

Plug in and switch on the unit by pressing the power button **for a few seconds**.

When you use the wine cooler for the first time (or restart the wine cooler after having it shut off for a long period), there will be a few degrees variance between the temperature you have selected and the one indicated on the LED display. This is normal and it is due to the length of the activation time. Once the wine cooler is running for a few hours everything will stabilize.

Important: If the unit is unplugged, power is lost, or turned off, wait 3 to 5 minutes before restarting the unit. The wine cooler will not start if you attempt to restart before this time delay.

OPERATING NOISES

To obtain the desired temperature settings, this wine cooler, like all wine coolers operating with compressors and fans, may produce the following types of noises.

The noises are normal and may occur as follows:

Gurgling and hissing sound - caused by the refrigerant flowing through the appliance's pipes and nozzles.

Cracking/popping sounds - resulting from the contraction and expansion of the refrigerant gas to produce cold.

Fan operating sound - to circulate the air inside the wine cooler.

LOADING YOUR WINE COOLER

You may load your wine bottles in single or double rows while taking the following into consideration: If you do not have enough bottles to fill your wine cooler entirely, it is better to distribute the load evenly throughout the wine cooler so as to avoid "all on top" or "all below" type loads.

You can remove or relocate adjustable wooden shelves to accommodate larger type of bottles or increase the capacity of the cabinet by stacking the bottles up when necessary. (See: Removing shelves)

Keep small gaps between the interior walls and the bottles to allow air circulation. Like an underground cellar air circulation is important to prevent mould and for a better homogeneous temperature within the cellar.



Do not overload your wine cooler.

Avoid obstructing the internal fans (located inside on the back panel of the wine cooler).

Avoid pulling the shelves outwards beyond the fixed position due to risk of the bottles from falling.

Do not pull out more than one loaded shelf at a time as this may cause the wine cooler to tilt forward.

Do not cover the wooden shelves with aluminium foil or other materials, as it will obstruct air circulation.

Do not move your wine cooler while it is loaded with bottles. This might distort the cabinet of the wine cooler.

After the first loading

Please note that depending on the loading and settings chosen it takes about 24 hours for the wine cooler to see the temperature stabilizing.

During this time the LED-temperature display seems to move erratically. This is normal and this process occurs whenever the setting is modified and/or whenever a large number of bottles are added to the cellar.

TEMPERATURE SETTINGS

Important: The LED-display indicates by default the actual internal air temperature.

The electrical circuit board of all models comes with memory function. All settings will return to the pre-set temperature after power is restored.

NOTICE!

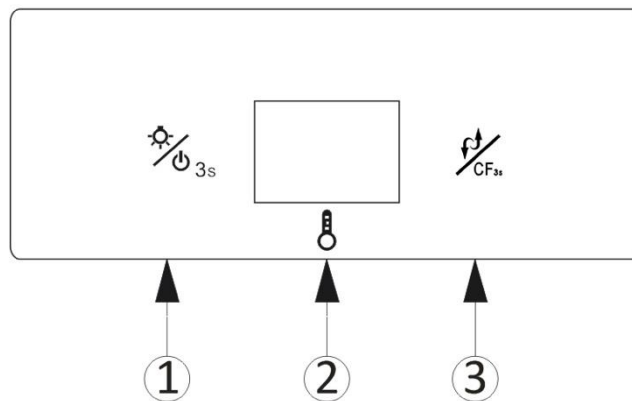
It is important to understand that there is a difference between the air temperature inside the wine cooler and the actual temperature of the wine.

Once the temperature is set, it is strongly advised to let it settle and not adjusting it frequently. You will need to wait approximately 24 hours before noticing the effects of temperature adjustment due to the mass, volume and density of a full wine cooler.

The thermostat will maintain the temperature inside the wine cooler within a $\pm 2.5^{\circ}\text{C}$ range. But the thermal inertia of the wine and the glass is such that within this temperature range, the actual temperature of the wine will only fluctuate 0.5°C to 1°C .

DISPLAY BOARD - OPERATING INSTRUCTIONS

For PI24S-BP and PI24S-WP



① Power and light:

In standby mode: Press and hold for 3 seconds. Power is turned on and the system starts.

When running: Short press this button. LED lights on/off.

When running: Press and hold for 3 seconds. Power is turned off and the system stops.

② Display:

Indicates the actual temperature inside the wine cooler.

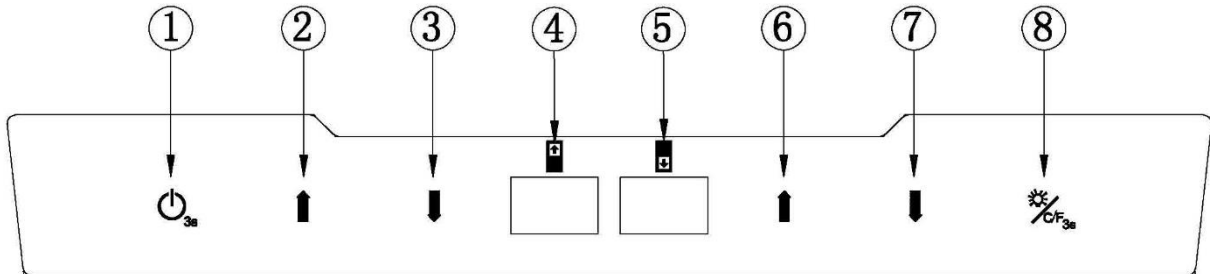
③ Temperature setting (circular function):

At each press on this button, the temperature inside will drop 1°C , until arriving at lowest possible setting, and then a return to the highest temperature. You can continue this in a circular interval within the range of available temperature settings.

③ $^{\circ}\text{C}/^{\circ}\text{F}$ display conversion:

Set the displayed temperature to degrees Celsius or Fahrenheit at each press on this button.

For PI48D-BP and PI48D-WP



- ①  Power “on/off”:**
Press the button 3 seconds to turn power off (Display ④ will count down: 3 - 2 - 1). Press again (without delay) to turn on the power.
- ②  Upper zone temperature setting UP:**
Press one time and the display ④ set value will increase 1 degree Celsius.
- ③  Upper zone temperature setting DOWN:**
Press one time and the display ④ set value will reduce 1 degree Celsius.
- ④  Display:**
Indicates upper zone temperature.
- ⑤  Display:**
Indicates lower zone temperature.
- ⑥  Lower zone temperature setting up UP:**
Press one time and the display ⑤ set value will increase 1 degree Celsius.
- ⑦  Lower zone temperature setting DOWN:**
Press one time and the display ⑤ set value will reduce 1 degree Celsius.
- ⑧  Light on/off:**
Press the button and the light turns on or off.
- ⑧  °C/°F display conversion:**
Set the displayed temperature to degrees Celsius or Fahrenheit at each press on this button.

IMPORTANT ABOUT WINE STORING TEMPERATURE

Your wine cooler is designed to guarantee optimum conditions for storing and/or serving your wines. Fine wines require long and gentle developments and need specific conditions in which to reach their full potential.

All wines mature optimally at the same ideal temperature, which is a constant temperature set between 12°C to 14°C. This being said and as it is for natural cellars used by wine producers for long period of storage, it is not the exact temperature that is important, but its consistency. In other words, as long as the temperature of your wine cooler is constant (12°C - 14°C) your wines will be stored in perfect conditions.

Not all wines will improve over the years. Some should be consumed at an early stage (2 to 3 years) while others have tremendous ageing capability (50 years and beyond). All wines have a peak window of maturity. Check with your wine merchant to get the relevant information.

DEFROSTING - CONDENSATION - VENTILATION

This wine cooler is designed with an “Auto-cycle” defrost system. During “Off-cycle” the refrigerated surfaces of the wine cooler defrost automatically.

Defrost/condensation water from the storage compartment drains automatically and part of it goes into a drainage container, which is located at the back of the wine cooler next to the compressor. The heat is transferred from the compressor and evaporates any condensation that has collected in the container.

The wine cooler is equipped with a double-glazed door that has a third internal acrylic layer to minimize condensation on the glass door. The wine cooler is not totally sealed; fresh air admission is permitted through the drainpipe. Air is circulated through the cellar by means of a fan/fans and the hollow shelves.

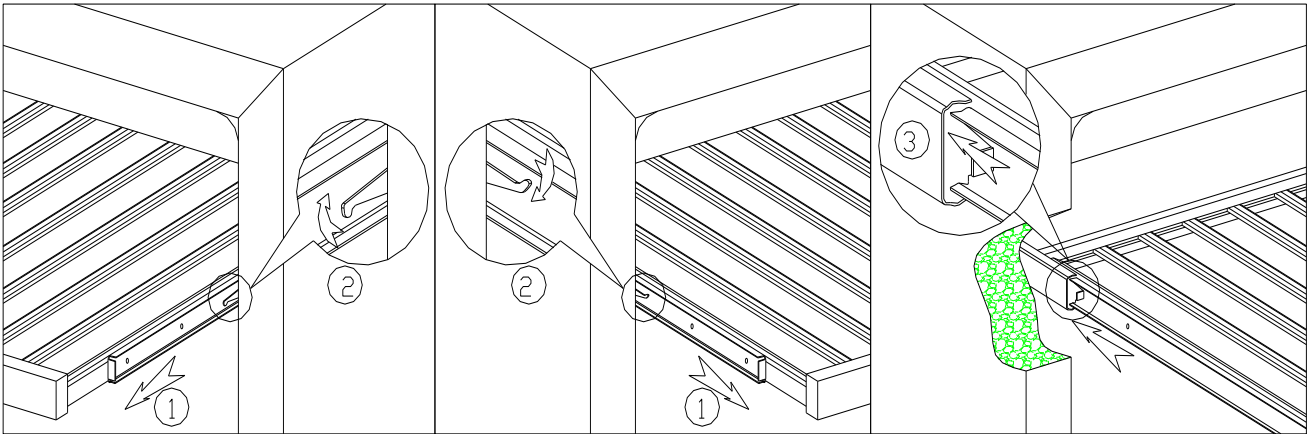
Note: *During the refrigeration cycle, heat is given off and disperses through the external surfaces of the wine cooler. Avoid touching the surfaces during those cycles*

ADJUSTABLE WOODEN SHELVES

For easy access to the stored content, pull the shelves approximately 1/3 of its depth out of the rail compartment. These wine cabinets, however, are designed with a notch on each side of the shelf tracks to prevent bottles from falling.

When removing any of these shelves out of the rail compartment, tilt the shelf as per the diagram and simply pull out, or push in the shelf until it sits on the support brackets securely.

Shelf installation and removal:



Shelf taking: According to below instruction drawing to pull out the shelf to support bracket ①, press two sides of sliding roller buckles and pull out the shelf following the arrow mark ②

Shelf installation: According to below instruction drawing to push in the shelf alignment with two sides of sliding roller following the arrow mark ③.

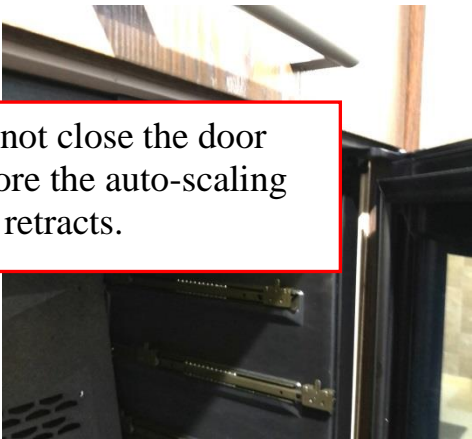
To prevent damaging the door gasket, make sure that the door is fully opened when pulling out the shelves.

AUTO-DOOR OPERATING INSTRUCTION

1. Operate the auto-door in the power-on state.
2. Look for the press sign on the door. **Press two times slowly to push the door out and open it by hand.** Before closing the door, make sure the top auto-scaling rod has retracted.



Do not close the door before the auto-scaling rod retracts.

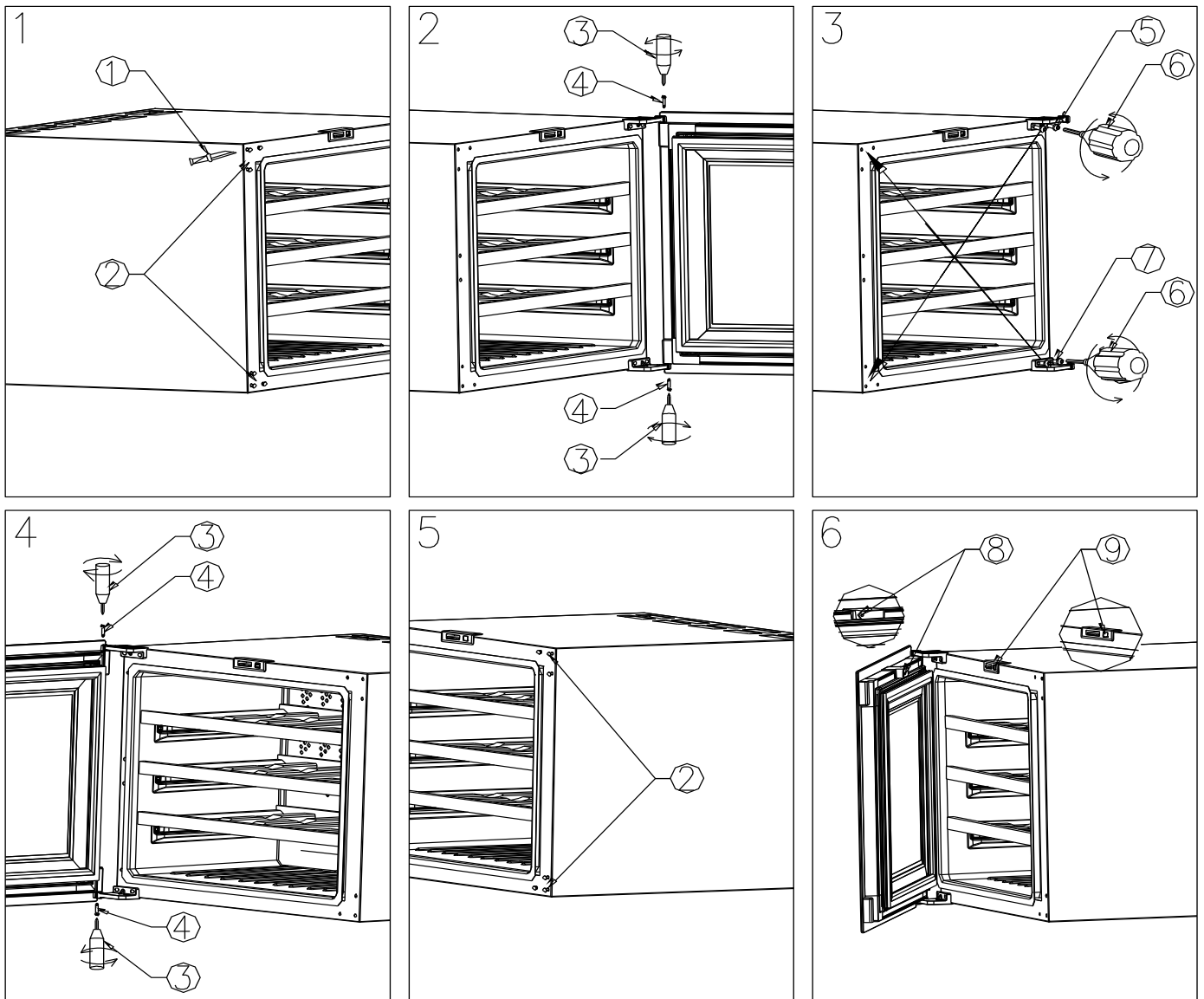


Note: In the power-off state, you cannot operate the auto-door. You can open the door from the crack directly with hand if needed.

REVERSIBILITY OF THE DOOR

Warning: To avoid accidents during the process of changing the door, we recommend that you get assistance. The glass door is heavy and may cause injury if dropped. Please turn off the power before reversing the door.

1. Use knife to pry the six trunk-nails from left side of cabinet. Please be careful, don't hurt the hands and don't damage the surface of cabinet (Picture 1)
2. Open the door, use Phillips screwdriver to loosen the screws of upper and lower door hinge, and then remove the door (Picture 2)
3. Then use hexagon wrench to loosen the screws of upper and lower door hinge, remove the door hinge, and then install upper door hinge at lower opposite side, install lower door hinge at upper opposite side (Picture 3)
4. The upper and lower ends of the removed door are directly aligned with the door hinges on the left side of the cabinet, adjust the door, and tighten the upper and lower screws with a Phillips screwdriver to complete the door replacement. Then install six trunk-nails to right side (Picture 4 & Picture 5)
5. After closing the door, check whether the probe on the door frame is aligned with the metal plate on the cabinet. If it is not aligned, loosen the screws on the upper and lower door hinges and adjust the door until it is aligned (Picture 6)
6. Plug in the power, find the press sign, and slowly press twice, if the door can be opened, the reversible door is successful.



1. Knife 2. Trunk nails 3. Phillips Screwdriver 4. Screw 5. Upper door hinge
6. Allen driver 7. Lower door hinge 8. Probe 9. Metal plate

OPERATION ANOMALIES

Ensure and verify that there is power to the electrical supply plug by connecting another electrical appliance. Check fuse, if any. Make sure that the door is closed properly.

If your wine cooler appears to be malfunctioning, unplug it and contact your after-sales service provider. Any intervention on the cold circuit should be performed by a certified refrigeration professional who must carry out an inspection of the circuit sealing system. Similarly, any intervention on the electrical must should be performed by a qualified electrician.

Notes: Any intervention performed by a non-authorized person may lead to the warranty being annulled and void.

POWER FAILURES

In the event of a power interruption, all previous temperature settings are automatically preserved, and the system will revert to a pre-set temperature setting.

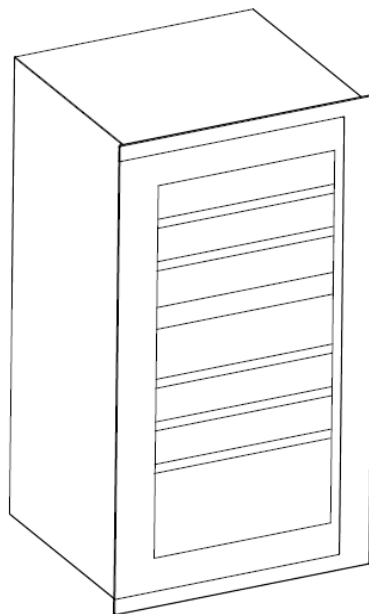
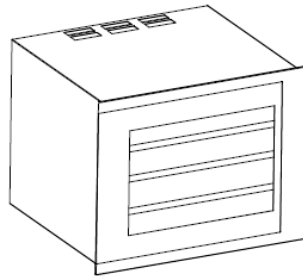
Most power failures are corrected within a short period of time. Loss of power for an hour or two will not affect the temperatures in the wine cooler. To avoid sudden change of temperature while the power is off, it is advised to avoid opening the door. For longer period of power failure, take steps to protect your wine.

TROUBLESHOOTING GUIDE

Common problems may easily be solved, saving you the cost of a possible service call. Please read carefully the instruction manual and revert to troubleshooting guide chart.

PROBLEM	POSSIBLE CAUSE
Wine cooler does not operate.	Not plugged in. The appliance is turned off. Current circuit breaker (RCD) activated, or the fuse is broken.
Wine cooler is not cold enough.	Check the temperature control setting. External environment may require a higher setting. The door is opened too often. The door is not closed completely. The door gasket does not seal properly.
Turns on and off frequently.	Room temperature is warmer than normal. Door is opened too often. Door is not closed completely. Temperature control is not set correctly. Door gasket does not seal properly.
The light does not work.	Not plugged in. Current circuit breaker (RCD) activated, or the fuse is broken. Bulb is out of order. The light button is "OFF".
Vibrations.	Check to assure that the wine cooler is level.
The wine cooler seems to make too much noise.	The rattling noise may come from the flow of the refrigerant, which is normal. As each cycle ends, you may hear gurgling sounds caused by the flow of refrigerant in the wine cooler. Contraction and expansion of the refrigerant gas may cause popping and crackling noises. The wine cooler is not level.
The door will not close properly.	The wine cooler is not level. The door was reversed and not properly installed. Gasket is faulty. (Magnet or rubber is damaged) Shelves are out of position.

VINKØLESKAB BRUGSANVISNING



PeVino - PI24S-BP

PeVino - PI24S-WP

PeVino - PI48D-BP

PeVino - PI48D-WP

Disse vinkøleskabe er udelukkende integrerbare og til indbygning i et kabinet.

TAK FOR DIT KØB AF ET VINKØLESKAB FRA PEVINO.

**VENLIGST LÆS OG FØLG ALLE SIKKERHEDSREGLER OG
BETJENINGSINSTRUKTIONER FØR BRUG.**

BEMÆRK

Ændringer i dette dokument kan ske uden forudgående varsel.

VIGTIGE SIKKERHEDSINSTRUKSER

For at mindske risikoen for brand, elektrisk chok eller skader, når du bruger dit apparat, bedes du følge disse basale forholdsregler.

For at undgå at skade dørtætningen skal du sikre, at døren er helt åben, når hylderne trækkes ud på skinnerne. Apparatet skal være placeret således, at stikket er tilgængeligt. Frigør ledningen. Flyt dit skab til dets endelige placering. Flyt ikke dit skab, mens det er fyldt med vin.

Hvis ledningen er beskadiget, skal den udskiftes af producenten eller en autoriseret elinstallatør.

Dette vinkøleskab er kun beregnet til opbevaring af vin.

ADVARSEL

IKKE børnevenligt! Kasserede eller efterladte apparater kan være farlige for børn, og du bør derfor bortskaffe det forsvarligt efter endt brug.

Før du smider dit gamle vinkøleskab væk: Tag døren af, så børn ikke nemt kan klatre inde i det. Tillad aldrig børn at betjene, lege med, eller kravle ind i apparatet.

Rengør aldrig dele af apparatet med brændbare væsker. Dampene kan udgøre en brand- eller eksplosionsrisiko. Opbevar eller brug ikke brændbare væsker i nærheden af dette eller andre apparater. Dampene kan udgøre en brand- eller eksplosionsrisiko.

GEM DENNE MANUAL TIL EVENTUELT SENERE BRUG

INDEN TILSLUTNING OG OPFYLDNING AF VINKØLESKABET

Før du bruger dit vinkøleskab

- Fjern den ydre og indre emballage.
- Før du tilslutter vinkøleskabet til strømkilden, skal du lade det stå lodret i cirka 6 timer. Dette vil reducere muligheden for en funktionsfejl i kølesystemet.
- Rengør de indre overflader med en blød klud og lunkent vand.

- Ved udskiftning af lyskilden, vælg en lyskilde som passer med samme fatning, watt og mærkespænding som den eksisterende lyskilde. Sluk strømforsyningen, før du skifter lyskilden.

Installation af dit vinkøleskab

- Placér dit vinkøleskab på et gulv eller overflade, der er stærkt nok til at bære det, når det er fuldt læsset. Sørg for at vinkøleskabet står helt i vater, ved at justere benene under bunden.
- Placér vinkøleskabet væk fra direkte sollys og varmekilder (brændeovn, varmeapparat, radiator, osv.). Direkte sollys kan påvirke akrylovertrækket, og varmekilder kan forøge det elektriske forbrug.
- Ekstremt kolde omkringliggende temperaturer kan også forårsage, at enheden ikke virker ordentligt.
- Undgå at placere enheden i fugtige områder.
- Tilslut vinkøleskabet til en stikkontakt med jordforbindelse. Ethvert spørgsmål angående el bør rettes til en autoriseret elinstallatør.

Vær opmærksom på følgende:

- Opbevar vin i lukkede flasker.
- Overbelast ikke skabet.
- Åbn ikke døren, medmindre det er nødvendigt.
- Tildæk ikke hylder med aluminiumfolie eller andre hyldematerialer, som kan forhindre luftcirkulation.
- Skulle vinkøleskabet stå ubrugt i længere perioder, foreslås det, efter en grundig rengøring, at lade døren stå på klem for at lade luften cirkulere indeni skabet for at undgå mulige dannelser af dug, mug eller lugt.
- Det medfølgende filter med aktivt kul (fjerner mug- og lugtgener), bør afmonteres mindst en gang om året og lægges til tørring / udluftning og gerne i solen.

AT STILLE VINKØLESKABET I VATER

ALLE vinkøleskabe skal stå i perfekt lod og vater, inden de fyldes med vinflasker.

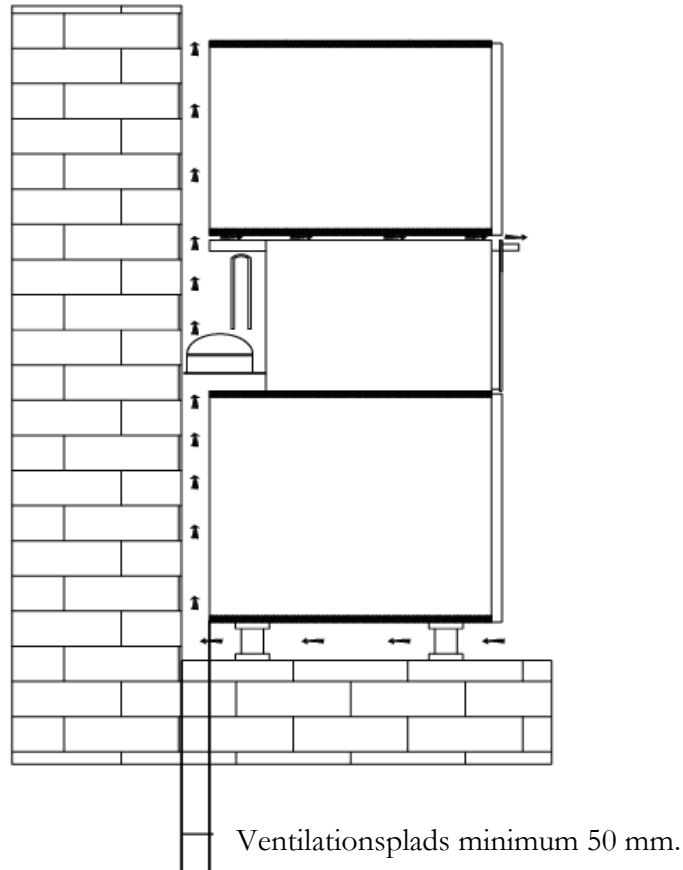
INSTRUKSER FOR INSTALLERING AF INTEGRERBARE VINKØLESKABE: *UDELUKKENDE FRONTVENTILEREDE VINKØLESKABE.*

1. Integrerbare vinkøleskabe er frontventilerede, og IKKE byggede til at blive fuldt integrerede bag en fast ekstern låge (f.eks. en skabslåge i et køkken)
2. Følg installationsdiagrammet når vinkøleskabet skal installeres. Gå aldrig under minimumskravene for dimensioner.
3. Vinkøleskabet trækker luft ind i højre side af ventilationsristen under døren og puster ud i venstre side samme sted.
4. Vinkøleskabet har en tænd/sluk knap på kontrolpanelet (Power on/off).
5. Vinkøleskabet skal tilsluttes standard 240 volt/10 A.
6. Ledningen er 200 cm. lang og tilsluttet i højre side bagpå.
7. I varme klimazoner skal en udluftningskanal eller et gitter med en minimumsventilationsstørrelse på 200 mm x 50 mm skæres ud på bagsiden af kabinettet eller øverst i hver side af kabinettet. Dette sikrer tilgang af frisk luft ind til det 30 mm dybe mellemrum bag på kabinettet. Denne luftudluftning eller gitter må ikke være åben mod samme side som andre apparater som ovne eller lignende. Der må heller ikke åbnes mod et område, der er uden adgang til frisk, kølig luft.

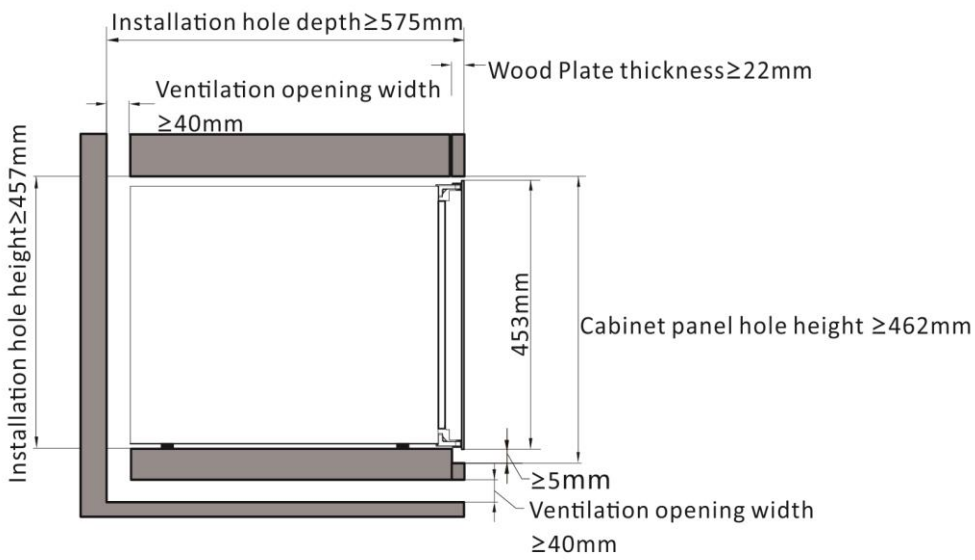
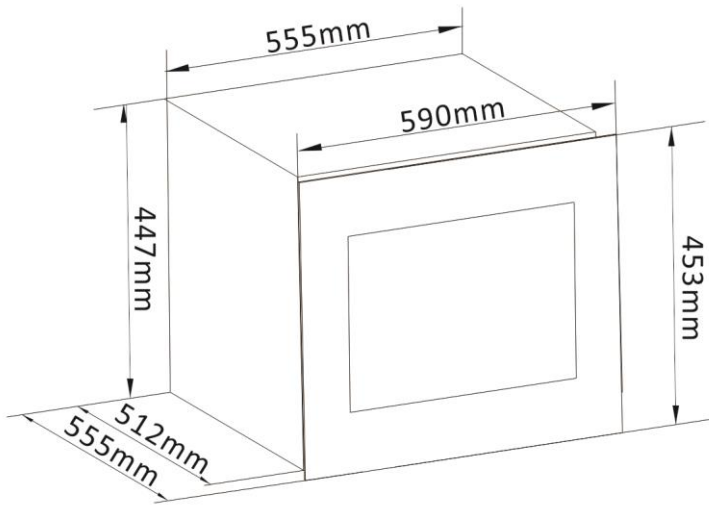
HUSK: Vinkøleskabet skal placeres så der er adgang til strømudtag efter installeringen.

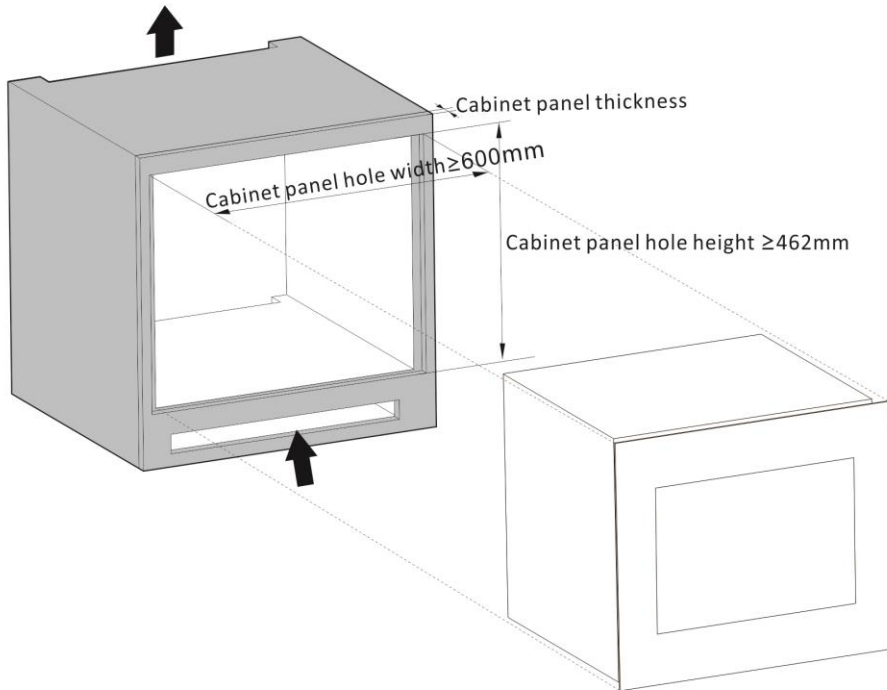
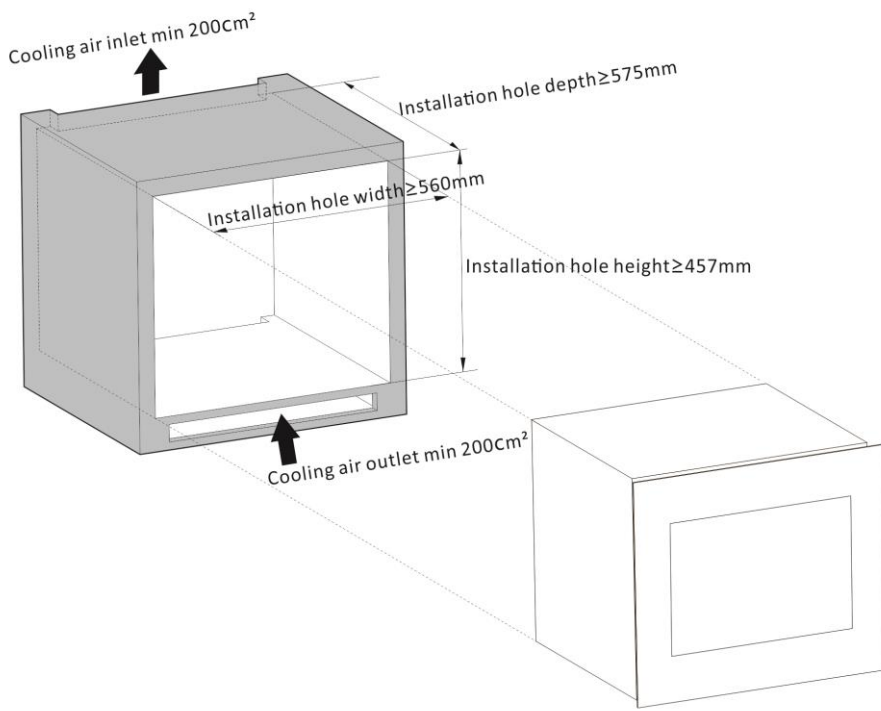
INSTALLATIONS DIAGRAMMER

Dette er et integrerbart vinkøleskab, der skal installeres i et skab/kabinet. Kabinettet skal være med gode ventilationsforhold og uden bagplade, ellers vil det påvirke vinkøleskabets evne til at fungere normalt. Følg installationsdiagrammet.

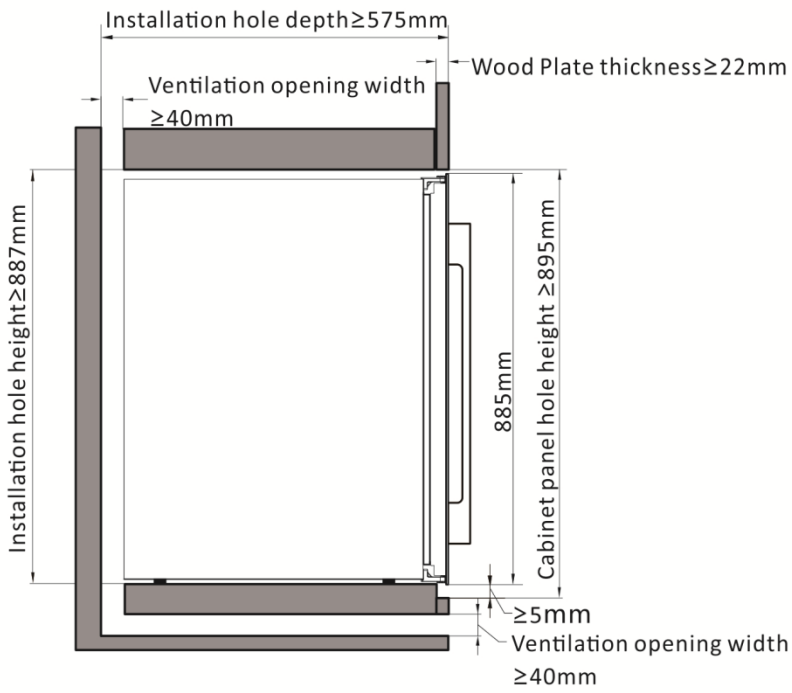
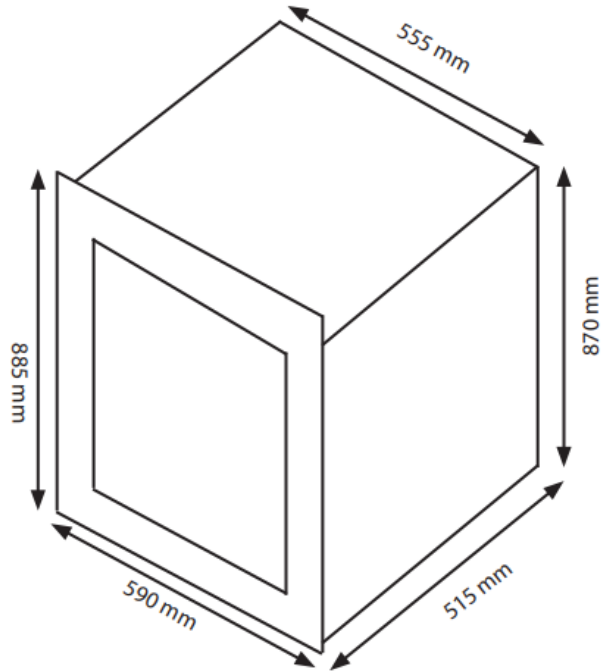


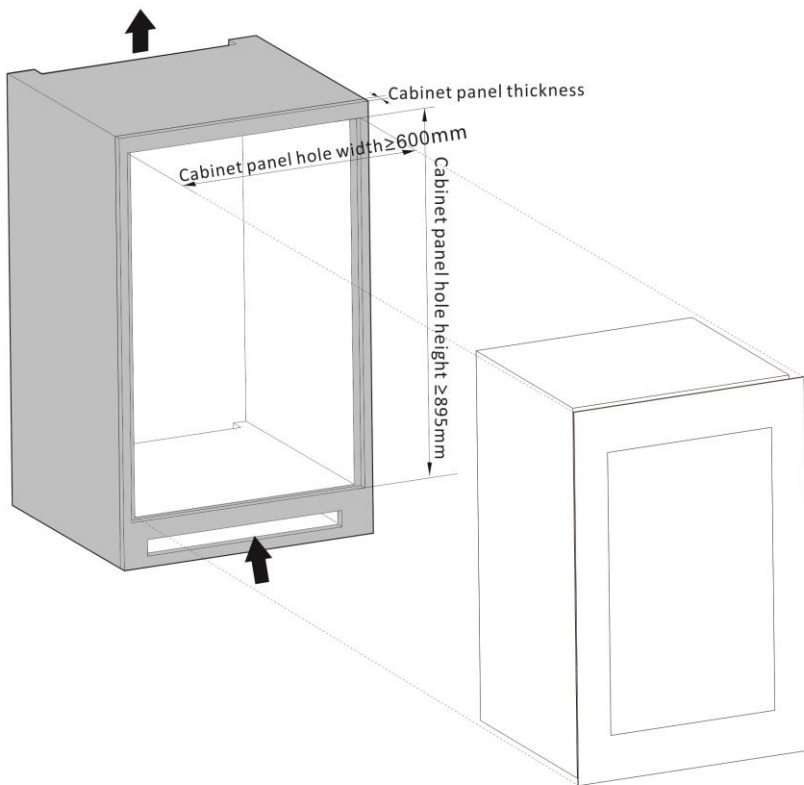
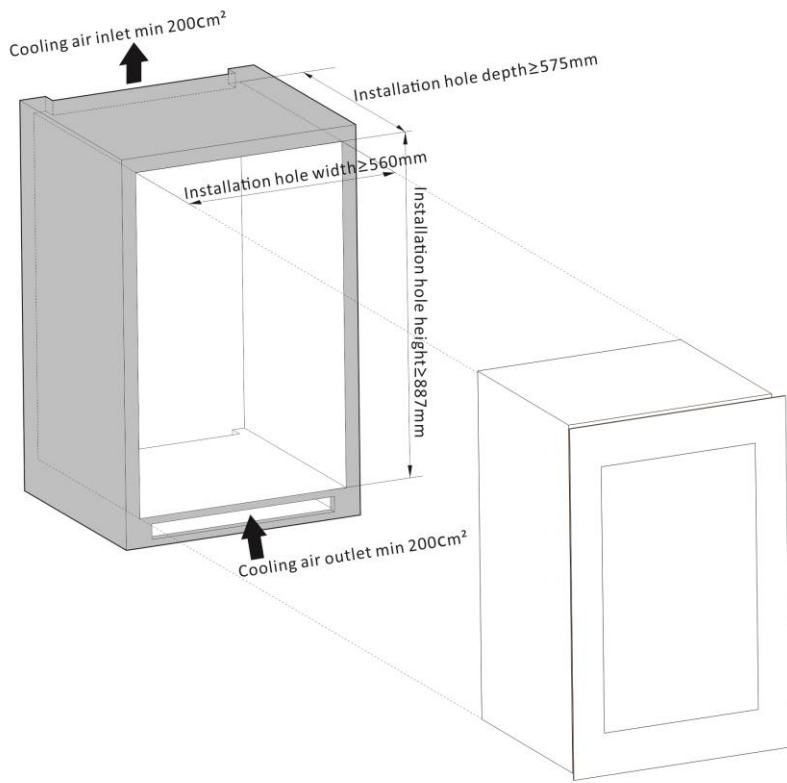
PeVino PI24S-BP og PI24S-WP





PeVino PI48D-BP og PI48D-WP

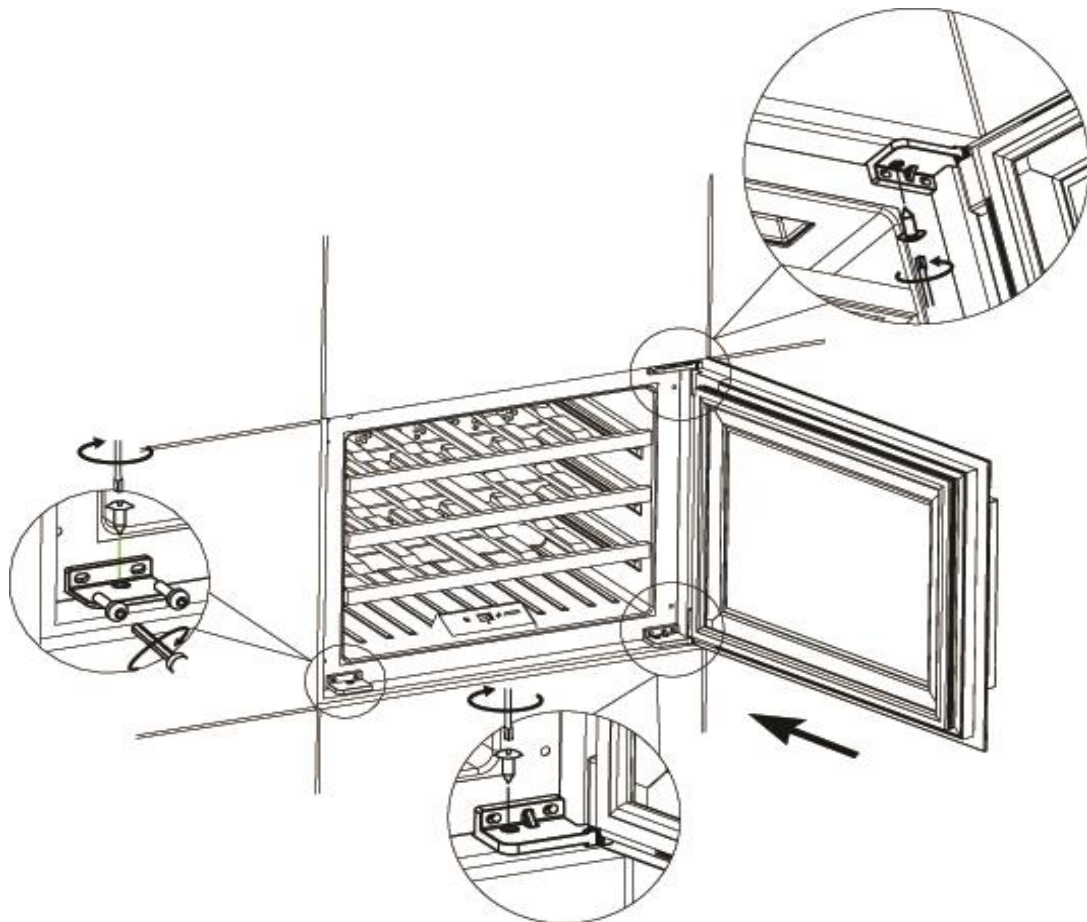




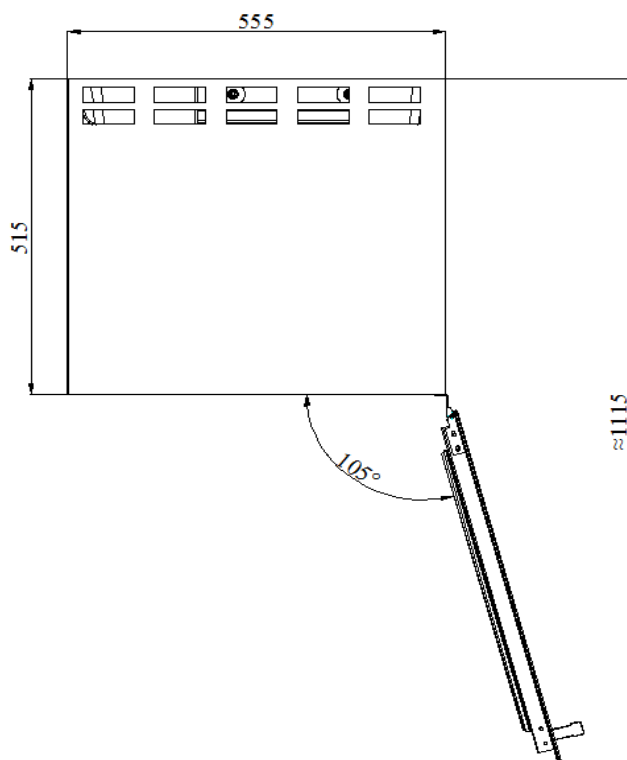
INSTALLERING I ET KØKKENKABINET

1. Placer vinkøleskabet i kabinettet og juster benene, så skabet står i perfekt lod og vater.
2. Åbn døren og tag tilbehørsposen med fikseringsplade, to unbrakoskruer og en -nøgle. Brug unbrakonøglen til at skrue fikseringspladen fast på den nedre venstre side af vinkøleskabet.
3. Tag tre Phillips-stjerneskrue fra tilbehørsposen. Brug en Philips-stjerneskrueetrækker til at skrue fikseringspladen fast i kabinettet ved den nedre venstre side af vinkøleskabet med en af skrueerne. De to andre skrue bruges til at skrue vinkøleskabet fast til kabinettet ved de to dørhængsler i højre side.

(Bemærk: Hvis døren er blevet vendt, skal disse instrukser følges i spejlvendt form. Se andetsteds i manualen her hvordan man vender døren.)



DØRÅBNING - VINKEL OG DIMENSIONER



OPSTART AF VINKØLESKABET

Tilslut og tænd for enheden ved at trykke på tænd/sluk-knappen nogle få sekunder.

Når du bruger vinkøleskabet for første gang (eller genstarter vinkøleskabet efter at have været slukket i lang tid), vil der være en få graders varians mellem den valgte temperatur og den, der er angivet på LED displayet. Dette er normalt, og det skyldes længden af aktiveringstiden. Når vinkøleskabet har kørt et par timer, vil alt stabilisere sig.

Vigtigt: Hvis vinkøleskabet har været slukket, frakoblet eller strømmen har været gået, vent 3 - 5 minutter, inden du genstarter det. Vinkøleskabet starter ikke, hvis du forsøger at genstarte før denne forsinkelse.

DRIFTSSTØJ

For at opnå de ønskede temperaturindstillinger kan dette vinkøleskab, som alle vinkøleskabe, der kører med kompressorer og ventilatorer, producere følgende typer lyde.

Lyde er normale og kan forekomme som følger:

Klukkende og hvæsende lyd - forårsaget af kølemidlet, der strømmer gennem systemets rør og dyser.

Knirkende/smældende lyde - sker som følge af sammentrækning og udvidelse af kølemiddelgassen for at producere kulde.

Blæsende lyd - blæsere sørger for at luften cirkulerer inde i vinkøleskabet.

OPFYLDNING AF VINKØLESKABET

Du kan pakke dine vinflasker i enkelt- eller dobbeltrækker, mens du tager følgende i betragtning: Hvis du ikke har nok flasker til at fylde vinkøleskabet helt, er det bedre at fordele flaskerne jævnt i hele vinkøleskabet. Du kan fjerne eller flytte de justerbare træhylder så skabet kan rumme større flasker eller forøge kabinetets kapacitet ved at stable flaskerne, hvis det er nødvendigt. (Se: Fjernelse af hylder)

Hold små mellemrum mellem de indvendige vægge og flaskerne for at luften kan cirkulere. Lige som en underjordisk (vin)kælder er luftcirkulationen vigtig for at forhindre skimmelsvamp og for at sikre en mere homogen temperaturfordeling i hele kælderen.



Overbelast ikke dit vinkøleskab.

Undgå at spærre ventilatorerne (placeret inde bagerst i vinkøleskabet).

Undgå at trække hylderne længere ud end den faste stilling på grund af risiko for, at tabe flaskerne.

Træk ikke mere end en fuldt lastet hylde ad gangen, da dette kan få vinkøleskabet til at vippe fremover.

Tildæk ikke hylderne med aluminiumsfolie eller andre materialer, da det vil forhindre luftcirkulationen.

Flyt ikke dit vinkøleskab, mens det er fyldt med flasker. Dette kan forvride vinkøleskabets kabinet.

Efter den første opfyldning

Bemærk, at afhængigt af opfyldning og valgte indstillinger tager det omkring 24 timer for at temperaturen stabiliserer sig i vinkøleskabet. I løbet af denne tid vil LED-temperaturvisningen se ud til at bevæge sig uregelmæssigt. Dette er normalt, og det sker, når indstillingen ændres og/eller når der fyldes et stort antal flasker i vinkøleskabet.

INDSTILLING AF TEMPERATUR

Vigtigt: LED-displayet angiver som standard den faktiske lufttemperatur inde i skabet.

Printkortet på alle modeller kommer med hukommelsesfunktion. Alle indstillinger vender tilbage til den forindstillede temperatur, når strømmen er genoprettet.

BEMÆRK!

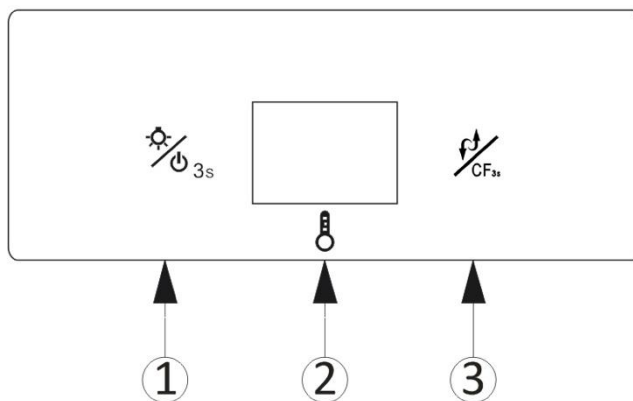
Det er vigtigt at forstå, at der er en forskel mellem lufttemperaturen inde i vinkøleskabet og vinens faktiske temperatur.

Når temperaturen er indstillet, anbefales det kraftigt at lade den etablere sig og ikke justere den ofte. Forvent at vente ca. 24 timer inden du bemærker effekten af temperaturjustering på grund af massen, volumen og densiteten af et fuldt vinkøleskab.

Termostaten holder temperaturen inde i vinkøleskabet inden for et område på +/- 2,5°C. Men den termiske inertie af vinen og glasset er sådan, at den faktiske temperatur i vinen inden for dette temperaturområde bevæger sig i intervallet 0,5°C til 1°C.

DISPLAY - BRUGSVEJLEDNING

For PI24S-BP og PI24S-WP



① Tænd/sluk og lys:

I standbytilstand: Tryk og hold nede i 3 sekunder. Strømmen tændes, og systemet starter.

I drift: Tryk kort på denne knap. LED lyset tænder/slukker.

I drift: Tryk og hold nede i 3 sekunder. Strømmen slukkes og systemet stopper.

② Display:

Viser den virkelige temperatur inde i vinkøleskabet.

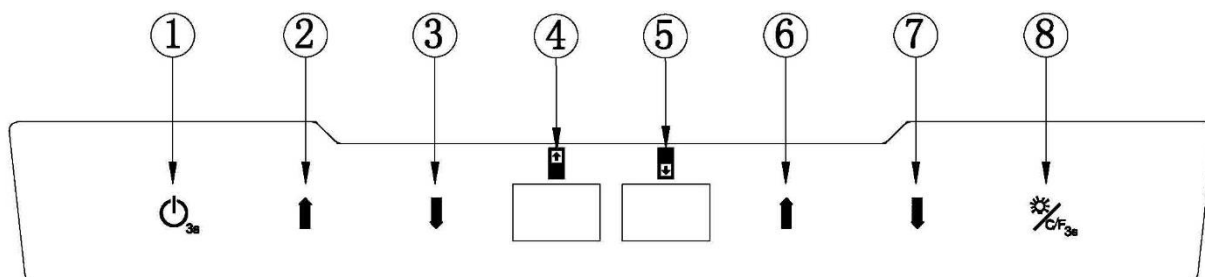
③ Temperaturindstilling (cirkulær funktion):

Ved hvert tryk på denne knap vil temperaturen indeni falde 1°C, indtil den kommer til den lavest mulige indstilling, og derefter en tilbage til den højeste temperatur. Du kan fortsætte dette i et cirkulært interval inden for de tilgængelige temperaturindstillinger.

③ Valg af temperaturvisning °C/°F:

Indstil den viste temperatur mellem Celsius eller Fahrenheit ved hvert tryk på denne knap.

For PI48D-BP og PI48D-WP



①  **Tænd/sluk:**

Tryk og hold nede i 3 sekunder for at slukke. (Displayet ④ vil tælle ned: 3 - 2 - 1). Tryk igen for at tænde igen.

②  **Øvre zone temperaturindstilling OP:**

Tryk en gang og display ④ vil stige med 1 grad Celsius.

③  **Øvre zone temperaturindstilling NED:**

Tryk en gang og display ④ vil falde med 1 grad Celsius.

④  **Display:**

Viser temperaturen i øvre zone.

⑤  **Display:**


Viser temperaturen i nedre zone.

⑥  **Nedre zone temperaturindstilling OP:**

Tryk en gang og display ⑤ vil stige med 1 grad Celsius.

⑦  **Nedre zone temperaturindstilling NED:**

Tryk en gang og display ⑤ vil falde med 1 grad Celsius.

⑧  **Lys tænd/sluk:**

Tryk for at tænde og slukke lys.

⑧  **Valg af temperaturvisning °C/°F:**

Indstil den viste temperatur mellem Celsius eller Fahrenheit ved hvert tryk på denne knap.

VIGTIGT VEDRØRENDE OPBEVARINGSTEMPERATUR FOR VIN

Dit vinkøleskab er designet til at sørge for optimale betingelser for opbevaring og/eller servering af dine vine. Fin vin kræver lang og stabil udvikling og har brug for særlige forhold for at nå det fulde potentiale.

Alle vine modner optimalt ved den samme ideal-temperatur, som er en konstant temperatur mellem 12°C og 14°C. Når dette er sagt, og som det er tilfældet ved naturlige vinkældre der anvendes af vinproducenter til længere tids vinopbevaring, er det ikke den nøjagtige temperatur, der er vigtig, men dens konsistens. Med andre ord, så længe temperaturen på din vinkøler er konstant (12°C - 14°C), bliver dine vine opbevaret under perfekte forhold.

Ikke alle vine vil forbedre sig gennem årene. Nogle bør nydes unge (2 til 3 år), mens andre har et enormt lagringspotentiale (50 år og længere). Alle vine har et optimalt modenhedsvindue. Tal med din vinhandler for at

få den bedste vejledning.

AFRIMNING - KONDENS - VENTILATION

Dette vinkøleskab er designet med et "Auto-cycle" afrimningsystem. Under "Off-cycle" afrimes kølefladerne af vinkøleren automatisk.

Afrimning/kondensvand fra opbevaringsrummet afløber automatisk, og en del af det går i en afløbsbeholder, som er placeret på bagsiden af vinkøleskabet ved siden af kompressoren. Varmen overføres fra kompressoren og fordampes eventuel kondens, som er opsamlet i beholderen.

Vinkøleskabet er udstyret med en dobbeltglasdør, der har et tredje indre akryllag for at minimere kondens på glassdøren. Vinkøleskabet er ikke fuldstændigt forsejlet; friskluft adgang sker gennem afløbsrøret. Luft cirkuleres gennem skabet ved hjælp af en ventilator og hyldernes lameller.

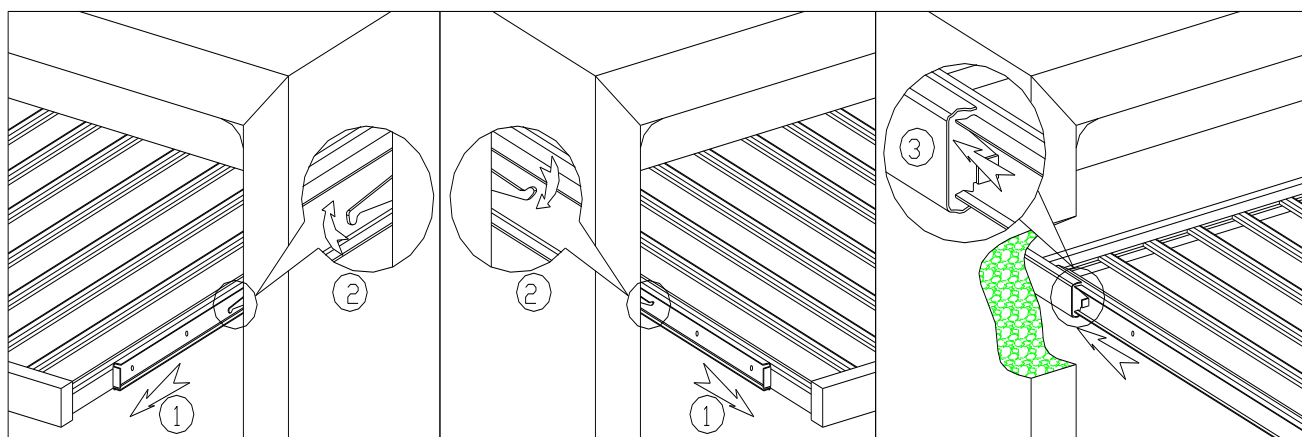
Bemærk: Under kølecyklussen afgives varme, der udledes gennem vinkøleskabets ydre overflader. Undgå at røre overfladerne under disse cyklusser.

JUSTERBARE TRÆHYLDER

For nem adgang til de opbevarede flasker skal du trække hylderne ca. 1/3 af dybden ud af skinnen. Disse vinkøleskabe er dog udformet med et hak på hver side af hylde-skinne for at forhindre flasker i at tippe ud.

Når du fjerner en hylde fra skinnen, skal du vippe hylden som vist i diagrammet og blot trække ud eller sætte hylderne tilbage i, indtil den sidder sikkert på støttebeslagene. For at undgå skade på dørpakningen skal du sørge for, at døren er helt åben, når du trækker hylderne ud.

Påsætning og afmontering af hylde:



Hylde udtagning: Venligst følg nedenstående for at trække hylden helt ud af skabet

① Tryk de ② metal stykker ind, på siden af hylden og træk hylden ud, som pilene på tegningen.

Hylde isætning: I henhold til tegningen og pilene, holdes hylden lige og skubbes in imellem glideskinnerne,

For at undgå at skade gummilisten rundt om døren, vær sikker på at døren er åbnet helt op, inden hylden trækkes ud.

BETJENING AF AUTOMATISK DØR

1. Automatisk dør virker kun når skabet er tændt.
2. Find trykknapsymbolet på forsiden døren. **Tryk to gange langsomt på symbolet for at døren åbnes på klem, den kan nu åbnes helt med hånden.** Før døren lukkes, skal de sikre Dem, at auto-åbningspinden har trukket sig ind.



Luk ikke døren før auto-åbningspinden har trukket sig ind.

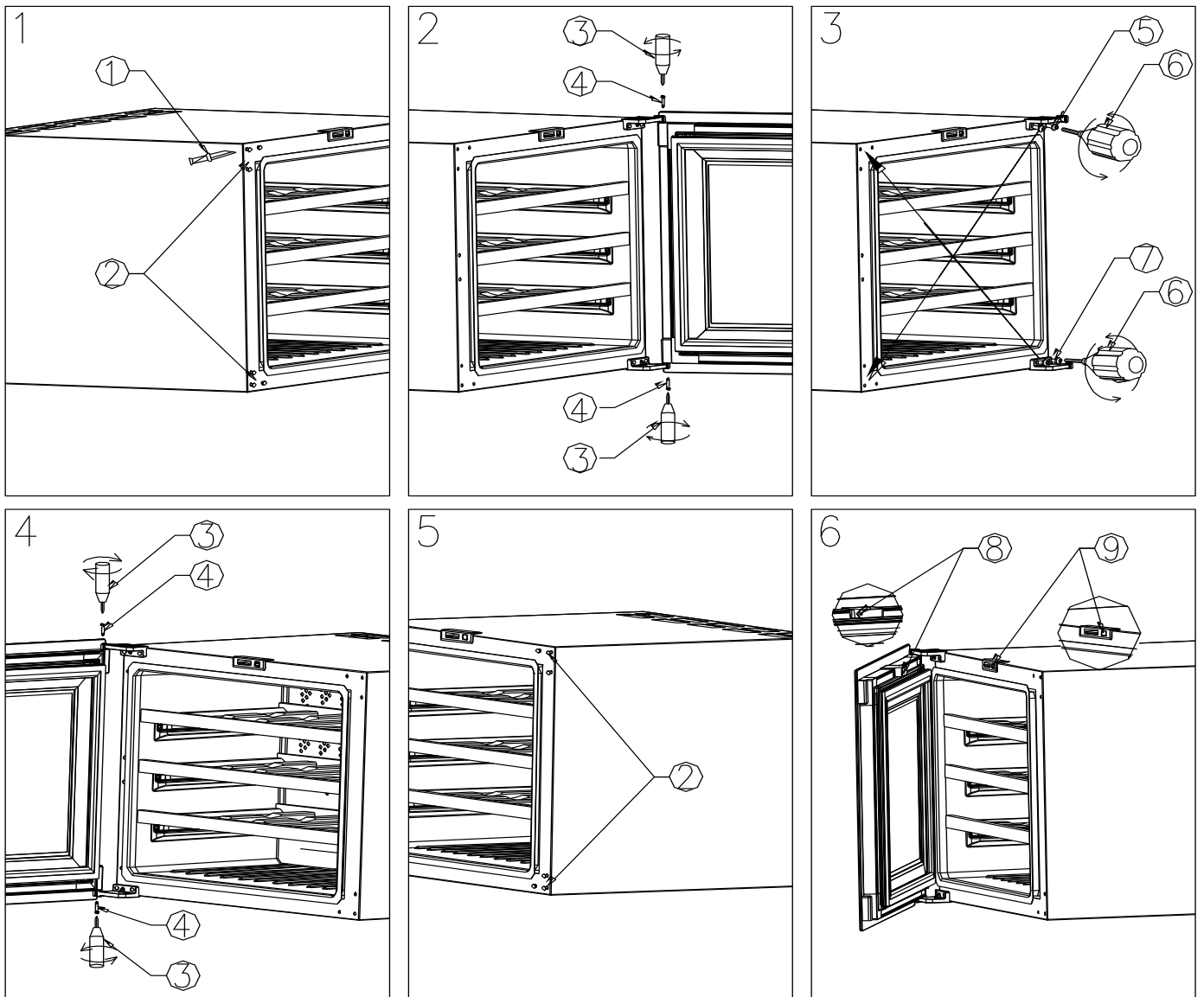


Bemærk: Hvis skabet er slukket, kan den automatiske dør ikke betjenes. Hvis nødvendigt kan døren åbnes med hånden.

VENDING AF DØR

Advarsel: For at undgå uheld anbefaler vi, at du får assistance til at vende døren. Glasdøren er tung, og kan forårsage skader, hvis den tabes. Sluk for strømmen til vinkøleskabet før døren vendes.

1. Benyt en lille kniv til at fjerne hul-propperne (Tegning 1). Vær forsigtig, pas på dine hænder, og sørg for ikke at beskadige kabinettets overflade.
2. Åbn døren og brug en skruetrækker til at løsne skruerne fra det øverste og nederste dørhængsel og fjern så døren (Tegning 2)
3. Brug skruetrækker til at løsne skruerne fra det øverste og nederste dørhængsel, fjern dørhængslerne, og installer øverste dørhængsel nederst på modsatte side af kabinettet og nederste dørhængsel øverst på modsatte side af kabinettet (Tegning 3)
4. Den fjernede dørs top og bund passer præcis med dørhængslerne på venstre side af kabinettet, tilpas døren, og stram de øverste og nederste skruer med en skruetrækker for at færdiggøre dørvendingen. Isæt seks hulpropper i højre side af kabinettet (Tegning 4 og 5)
5. Efter du har lukket døren, skal du tjekke om sensoren på døren flugter med metalpladen på kabinettet. Hvis sensoren og metalpladen ikke flugter, skal du løsne skruerne på det øverste og nederste dørhængsel og tilpasse døren, indtil sensoren og metalpladen flugter (Tegning 6)
6. Sæt strømstikket i og tænd for strømmen, find “tryk-ikonet” og tryk langsomt to gange. Hvis døren åbner, er dørvendingen gennemført korrekt.



1. Kniv 2. Hul-propper 3. Skruetrækker 4. Skrue 5. Øverste dørhængsel
6. Skruetrækker 7. Nederste dørhængsel 8. Sensor 9. Metalplade

DRIFTSFORSTYRRELSER

Sørg for, at der er strøm til stikkontakten ved at tilslutte et andet el-apparat. Kontrollér sikringen, hvis muligt. Sørg for, at døren er lukket korrekt.

Hvis dit vinkøleskab synes at være defekt, skal du tage det ud af stikket og kontakte dit salgssted. Enhvert arbejde på det kolde kredsløb skal udføres af en autoriseret køleprofessionel, som skal foretage en inspektion af kredsløbsforseglingen. Tilsvarende skal enhver arbejde på det elektriske system udføres af en autoriseret elektriker.

Bemærk: *Al arbejde udført af ikke-autoriserede personer kan resultere i at garantien bortfalder.*

STRØMAFBRYDELSE OG -FORSTYRRELSER

I tilfælde af strømafbrydelse bevares alle tidligere temperaturindstillinger automatisk, og systemet vender tilbage til en forudindstillet temperaturindstilling.

De fleste strømfejl korrigeres inden for en kort periode. Tab af strøm i en time eller to vil ikke påvirke temperaturerne i vinkøleskabet. For at undgå en pludselig temperaturændring, mens strømmen er slukket, anbefales det at undgå at åbne døren. Ved længere tid med strømsvigt skal du træffe foranstaltninger for at beskytte din vin.

FEJLFINDINGSGUIDE

De fleste almindelige problemer kan nemt løses, hvilket sparer dig for omkostningerne ved et eventuelt

serviceopkald. Læs venligst brugsanvisningen nøje, og vend tilbage til fejlfindingsguiden.

PROBLEM	MULIG ÅRSAG
Vinkøleskab kører ikke.	Ikke tilsluttet strøm. Vinkøleskabet er slukket. HFI-relæet er slået til eller sikringen er gået.
Vinkøleskab køler ikke nok.	Check temperaturindstillingen. Ydre omgivelser kan skabe andet behov for ændring af indstillinger. Døren åbnes for ofte. Døren er ikke ordentligt lukket. Dørpakningen forseglers ikke ordentligt.
Tænder og slukker for ofte.	Rumtemperaturen er varmere end normalt. Døren åbnes for ofte. Døren er ikke ordentligt lukket. Dørpakningen forseglers ikke ordentligt. Temperaturkontrollen er ikke indstillet korrekt.
Lyset virker ikke.	Ikke tilsluttet strøm. Vinkøleskabet er slukket. HFI-relæet er slået til eller sikringen er gået. Pæren er i stykker. Lyset er slukket på displayet.
Vibrationer	Sørg for at vinkøleskabet står i perfekt lod og vater.
Vinkøleskabet ser ud til at støje for meget.	Den raslende lyd kan skyldes cirkuleringen af kølegas, hvilket er helt normal. Ved slutningen af hver kølecyklus kan der opstå en klukkende lyd pga. kølevæsken i systemet. Knirkende/smældende lyde - sker som følge af sammentrækning og udvidelse af kølemiddelgassen for at producere kulde. Vinkøleskabet er ikke i perfekt vater. Vinkøleskabet kan ikke komme af med varmen pga. manglende ventilation, og det skal derfor arbejde mere for at producere kulde.,
Døren vil ikke lukke ordentligt.	Vinkøleskabet er ikke i perfekt vater. Døren var ikke vendt eller monteret ordentligt. Fejl i dørens pakning. (Magnet eller gummi defekt) Hylder ikke på plads og blokerer døren.